

## SPEC SHEET



### Russell Modern Tripod Table Lamp

Item # CHA 8994AI-NP

Designer: E. F. Chapman

Height: 28.5"

Width: 19"

Base: 10" Tripod

Finishes: AI, BSL, CG, GI

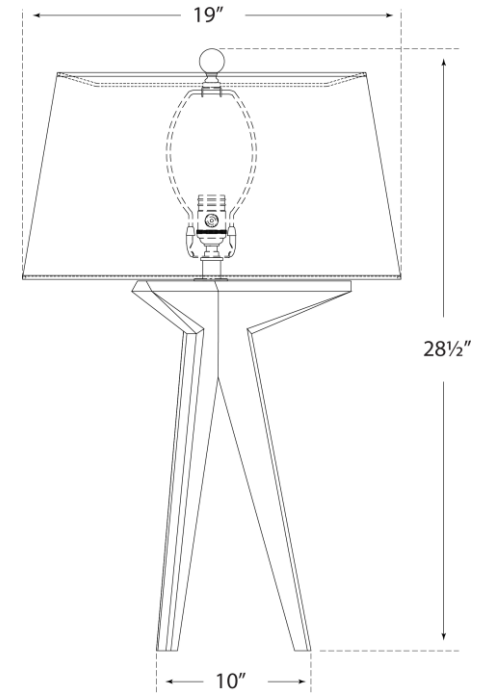
Shade Treatments: NP, PL

Shade Details: 15.5" x 19" x 10.5"

Socket: E26 Dimmer

Wattage: 150 A

©EFC DESIGNS



**circa** LIGHTING®